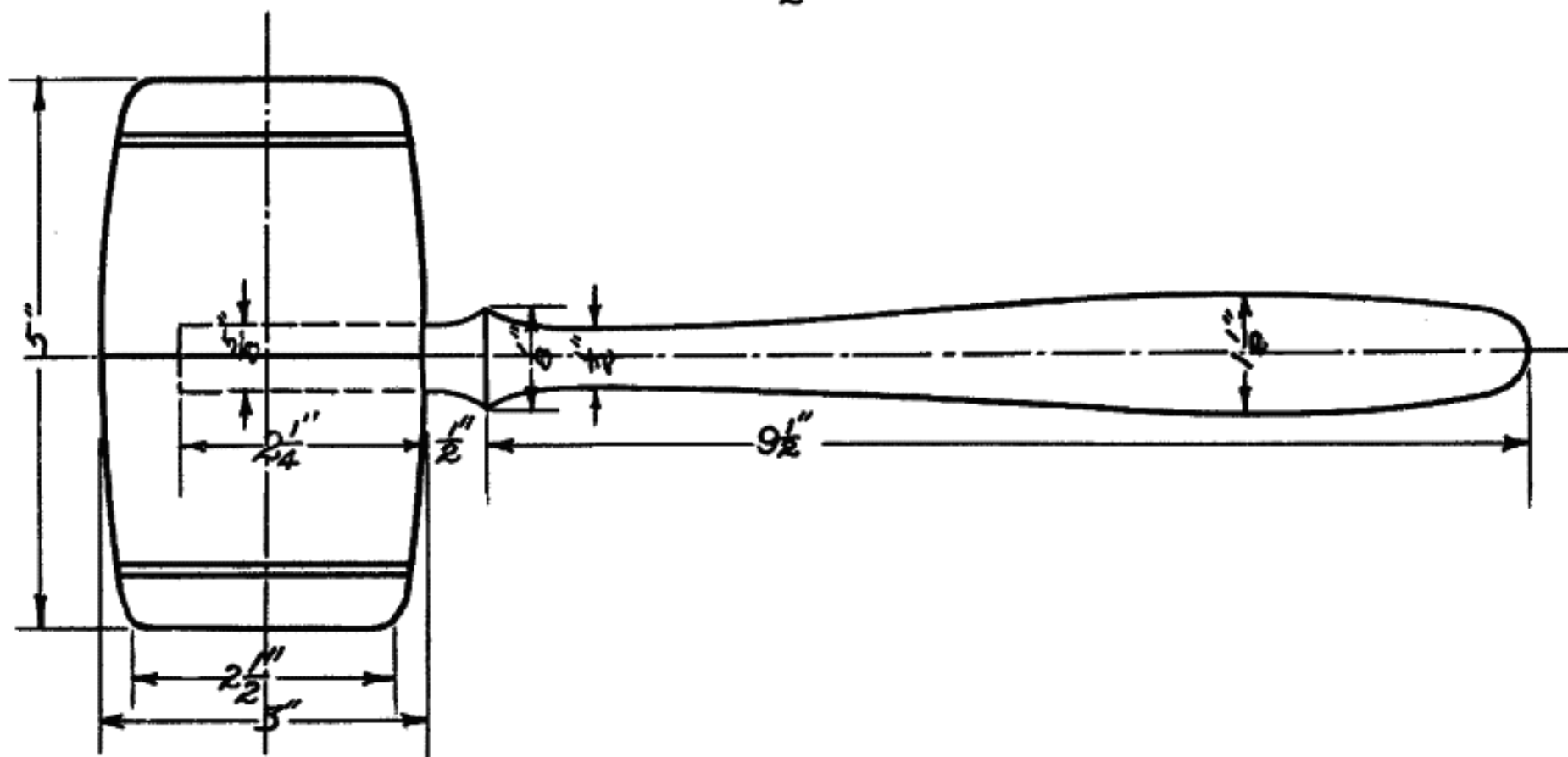
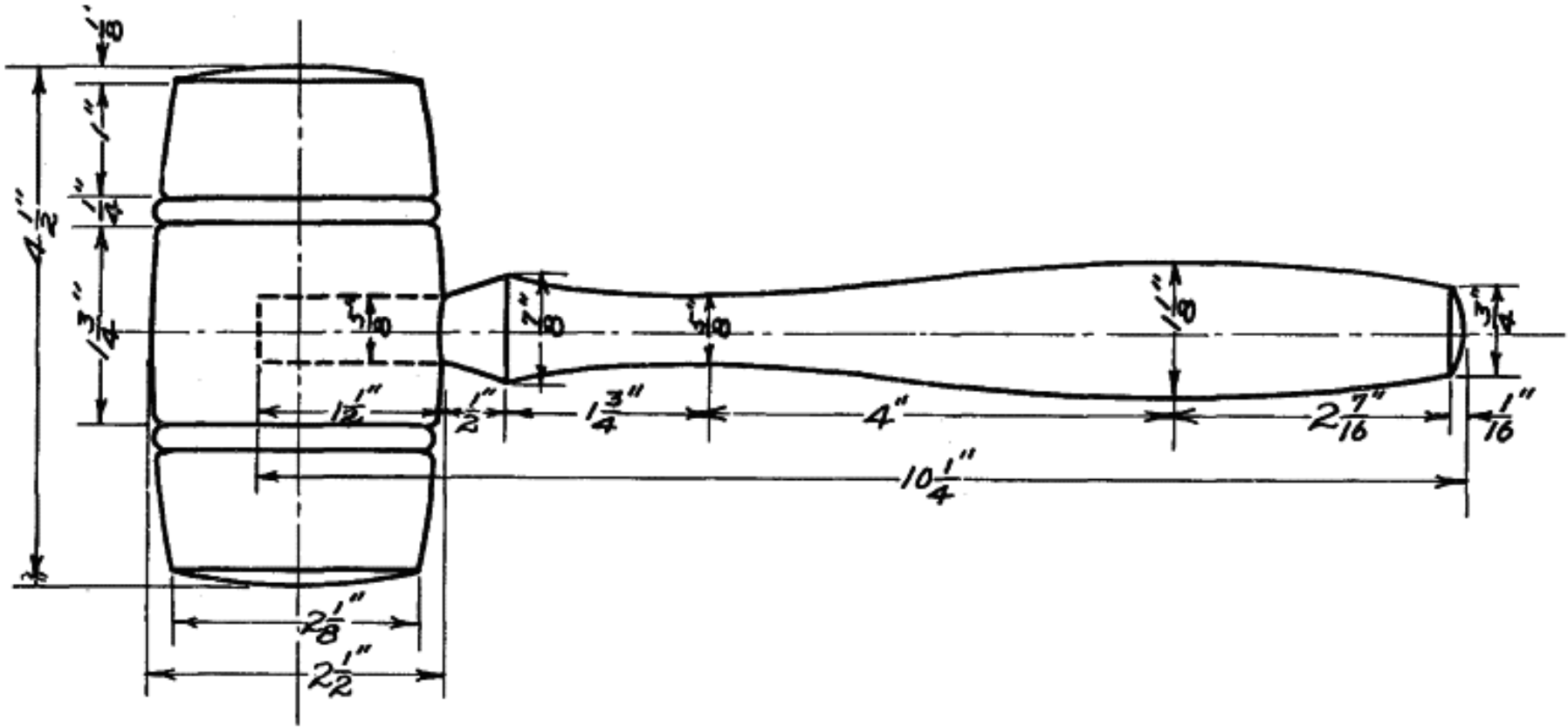


Mallet.
Scale $\frac{1}{2}'' = 1''$



Mallet.
Scale $\frac{1}{2}'' = 1''$



Gavel
Scale $\frac{1}{2}'' = 1''$

